

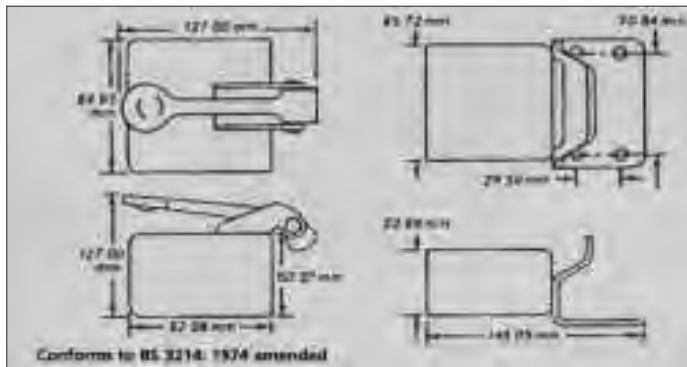
300A BATTERY VEHICLE PLUGS, TYPE “E”, 2 POLE, IP23, 250V WITH OPTIONAL AUXILIARY CONTACTS - METAL

E CONNECTOR® has long provided a combination of ruggedness, quality and adaptability, being fully compatible with all other makes. Steel housings have tongue and groove construction, with extra reinforcing around the generous, palm contoured locking half handle. Copper or copper alloy contacts have coin silver tips for maximum conductivity under constant heavy spring pressure.

Rated: 300A 250V



Dimensions



Description and ordering code

Descriptions	Wire size	Catalogue No.
Locking half	70mm ²	A2006
Mounting half	70mm ²	A2007
Charging half	70mm ²	A49451
Locking half housing only		65-0141
Mounting half housing only		65-0143
Charging half housing only		55-0265
Insulation block assembly	70mm ²	66-0171
Power Contact assembly	70mm ²	66-0181 66-0182
Auxiliary	2,5mm ²	65-0146
Cable gland		65-0147

Note: All “A” numbers represent ex stock items. All other numbers are available on request.