

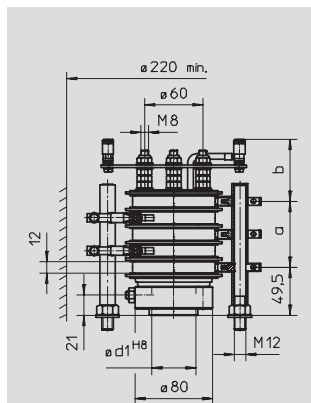
# Slip ring bodies

## Slip ring body ES13 50 A / 1000 V



### Electrical data

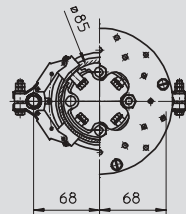
- Voltage: max. 1000 V<sub>~</sub>
  - according to DIN VDE 0110
  - overvoltage category IV
  - insulating material group II
  - degree of contamination 3
- Current: 50 A, at max. 30°C and 100% duty cycle
- Slip rings:
  - ø 85 x 12 mm, brass
  - distance between rings 17 mm
  - connection M6
  - max. 60 A
- Current collector:
  - industrial double support with two flexibly hinged, replaceable coals 22 x 6.4 mm
  - connection M5
  - max. 50 A
- Protection class: IP 00



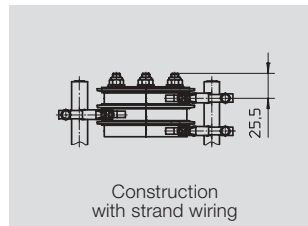
Dimension b:

- up to 7 rings = 63 mm
- 8 rings or more = 90 mm

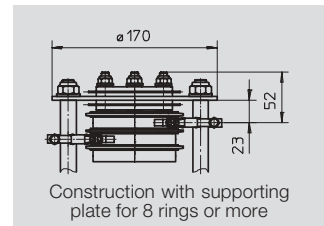
$$a = (\text{number of poles} - 1) \times 17$$



Standard type



Construction with strand wiring



Construction with supporting plate for 8 rings or more

### Wiring and max. number of poles

- Max. 28 (incl. PE) completely wired with 10 mm<sup>2</sup>
- up to 14 poles on clamping board connection to sheathed clamps
- strand wiring 10 mm<sup>2</sup> up to 28 rings possible
- construction with 8 rings or more with intermediate support (supporting plate)

### More technical details

- Rotational speed: max. 100 U/min
- Insulation:
  - insulating parts PA 6, glass fibre reinforced
  - glass filament, fabric tube HGW2375,4 DIN 7735
- Ambient temperature:
  - -35°C to max. +50°C
  - at > 50°C the max. current load has to be reduced accordingly
  - for higher temperature please inquire

- Position of installation:
  - standing
  - other positions on request
- Flange diameter d1<sup>H8</sup>:
  - 45 mm standard
  - 20, 30 and 35 mm on request

### Volume of delivery

- Brush bolts
- Insulating tubes
- Current collectors

### Order example:

**ES13/F45-04**

Slip ring body  
Type 13  
3-pole + PE  
Flange diameter  
d1<sup>H8</sup> = 45 mm

## Enclosed slip ring body GS13 50 A / 1000 V

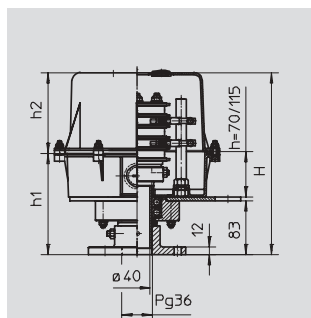


### Electrical data

- According to type ES13
- Exception:
  - protection class: IP 65

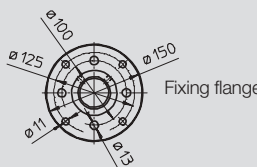
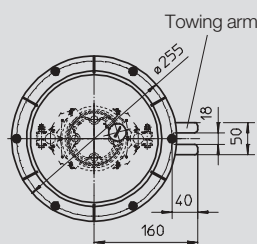
### More technical details

- Rotational speed: max. 100 U/min
- Insulation:
  - insulating parts PA 6, glass fibre reinforced



$$h_{70} = 1 \times \text{Pg 21}, 1 \times \text{Pg 29}$$

$$h_{115} = 1 \times \text{Pg 21}, 1 \times \text{Pg 36}$$



| h <sub>1</sub><br>[mm] | h <sub>2</sub><br>[mm] | H<br>[mm] | Max. number of poles |    |    |    |
|------------------------|------------------------|-----------|----------------------|----|----|----|
|                        |                        |           | A                    | B  | C  | D  |
| 157                    | 125                    | 282       | 6                    | 4  | -  | -  |
|                        | 190                    | 347       | 8                    | 7  | 5  | 3  |
|                        | 280                    | 437       | 14                   | 11 | 9  | 7  |
| 202                    | 125                    | 327       | 7                    | 6  | 4  | 2  |
|                        | 190                    | 392       | 11                   | 8  | 7  | 6  |
|                        | 280                    | 482       | 16                   | 14 | 12 | 10 |

A) without clamping board; B) with clamping board; C) without clamping board, with heating; D) with clamping board and heating

- glass filament, fabric tube HGW2375,4 DIN 7735
- Ambient temperature:
  - -35°C to max. +50°C
  - at > 50°C the max. current load has to be reduced accordingly
  - for higher temperature please inquire

- Position of installation:
  - standing
  - other positions on request

- Bearing: anti-friction bearing
- Corrosion protection:
  - Steel parts galvanized or powdercoated
  - aluminium
  - standard housing of PA 6.6

### Volume of delivery

- standard without Pg glands (possible on request)
- 17 rings or more with steel housing.

### Accessories

Heating; Rotary transmission for gaseous and liquid media.

### Order example:

**GS13KS-04**

Enclosed slip ring body  
Type 13  
With plastic housing  
3-pole + PE