

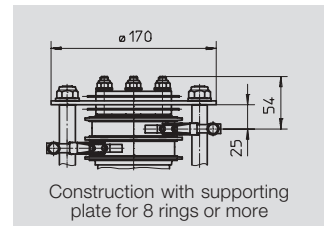
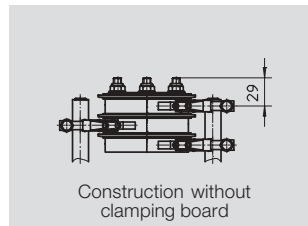
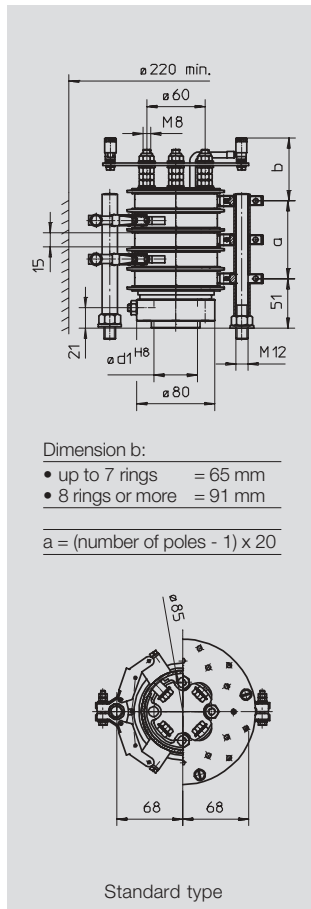
Slip ring bodies

Slip ring body ES15 90 A / 1000 V



Electrical data

- Voltage: max. 1000 V~ =
 - according to DIN VDE 0110
 - overvoltage category IV
 - insulating material group II
 - degree of contamination 3
- Current: 90 A, at max. 30°C and 100% duty cycle
- Slip rings:
 - \varnothing 85 x 15 mm, brass
 - distance between rings 20 mm
 - connection M8
 - max. 100 A
- Current collector:
 - industrial double support with two flexibly hinged, replaceable coals 25 x 8 mm
 - connection M6
 - max. 90 A
- Protection class: IP 00



Wiring and

max. number of poles

- Max. 16 (incl. PE) completely wired with 16 mm²
- up to 8 pole on a clamping board, connection to sheathed clamps
- Strand wiring 16 mm² up to 16 rings possible
- Construction with 8 rings or more with intermediate support (supporting plate)

More technical details

- Rotational speed: max. 100 U/min
- Insulation:
 - insulating parts PA 6, glass fibre reinforced
 - glass filament, fabric tube HGW2375,4 DIN 7735
- Ambient temperature:
 - -35°C to max. +50°C
 - at > 50°C the max. current load has to be reduced accordingly
 - for higher temperature please inquire

Position of installation:

- standing
- other positions on request

Flange diameter $d1^{H8}$:

- 45 mm standard
- 20, 30 and 35 mm on request

Volume of delivery

- Brush bolts
- Insulating tubes
- Current collectors

Order example:

ES15/F45-04

Slip ring body
Type 15
3-pole + PE
Flange diameter
 $d1^{H8} = 45$ mm

Enclosed slip ring body GS15 90 A / 1000 V



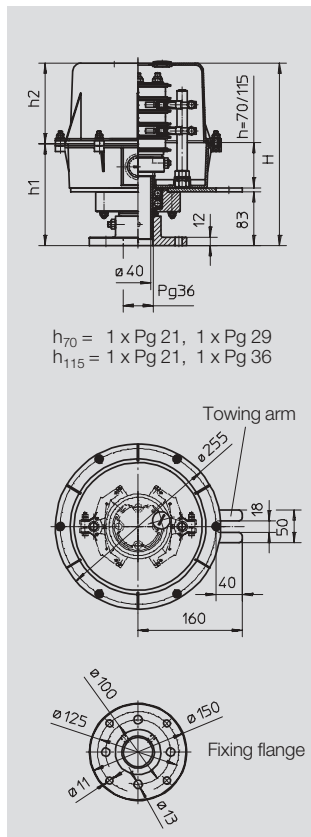
Electrical data

- According to type ES15
- Exception:
 - protection class: IP 65

Wiring and

max. number of poles

- According to type ES15



h_1 [mm]	h_2 [mm]	H [mm]	Max. number of poles			
			A	B	C	D
157	125	282	5	3	-	-
	190	347	-	6	4	3
	280	437	11	9	7	7
202	125	327	7	5	3	2
	190	392	9	7	7	5
	280	482	14	8	9	8

A) without clamping board; B) with clamping board; C) without clamping board with heating; D) with clamping board and heating

More technical details

- Rotational speed: max. 100 U/min
- Ambient temperature:
 - -35°C to max. +50°C
 - at > 50°C the max. current load has to be reduced accordingly
 - for higher temperature please inquire
- Position of installation:
 - standing
 - other positions on request
- Bearing: anti-friction bearing
- Corrosion protection:
 - steel parts galvanized or powdercoated
 - aluminium
 - standard housing of PA 6.6

Volume of delivery

- Standard without Pg glands (possible on request)
- 14 rings or more with steel housing

Accessories

Heating; Rotary transmission for gaseous and liquid media

Order example:

GS15KS-04

Enclosed slip ring body
Type 15
With plastic housing
3-pole + PE