

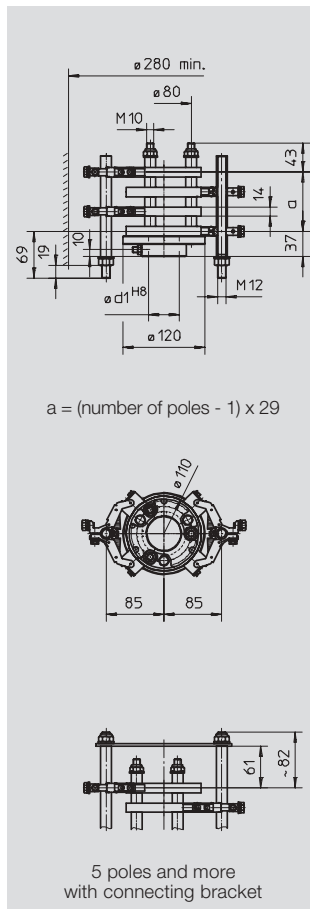
# Slip ring bodies

## Slip ring body ES16 100 A / 1000 V



### Electrical data

- Voltage: max. 1000 V~ =
  - according to DIN VDE 0110
  - overvoltage category IV
  - insulating material group II
  - degree of contamination 3
- Current: 100 A, at max. 30°C and 100% duty cycle
- Slip rings:
  - $\varnothing$  110 x 14 mm, brass
  - distance between rings 29 mm
  - connection M8
  - max. 100 A
- Current collector:
  - industrial double support with two mobile, replaceable coals 32 x 10 mm
  - connection M8
  - max. 150 A
- Protection class: IP 00



### Wiring and max. number of poles

- Max. 12 (incl. PE) connection made by the customer
- Strand wiring 25 mm<sup>2</sup>, 2 m from flange possible at a surcharge
- 5 rings and more with connecting bracket

### More technical details

- Rotational speed: max. 100 U/min
- Insulation:
  - glass filament, fabric tube HGW2375,4 DIN 7735
- Ambient temperature:
  - -30°C to max. +60°C
  - at > 60°C the max. current load has to be reduced accordingly
  - for higher temperature please inquire
- Position of installation:
  - standing
  - other positions on request
- Flange diameter  $d1^{H8}$ :
  - 45 mm standard
  - 35 mm on request

### Volume of delivery

- Brush bolts
- Insulating tubes
- Current collectors

### Order example:

#### ES16/F45-04

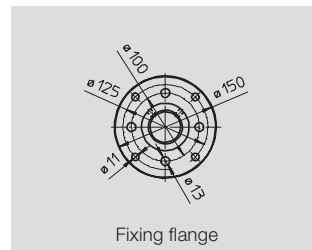
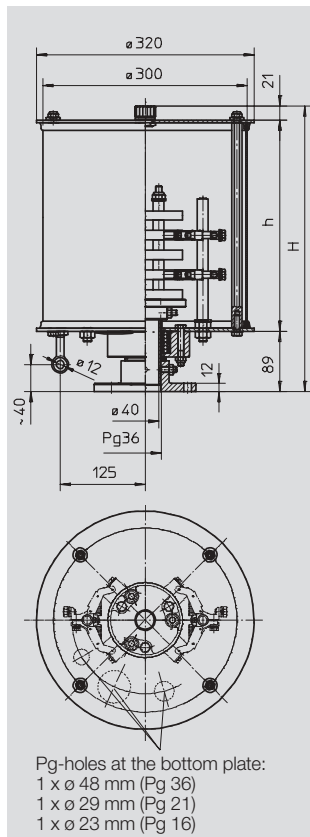
Slip ring body  
Type 16  
3-pole + PE  
Flange diameter  
 $d1^{H8} = 45$  mm

## Enclosed slip ring body GS16 100 A / 1000 V



### Electrical data

- According to type ES16
- Exception:
  - protection class: IP 54
  - higher protection class on request



### Wiring and max. number of poles

- Max. 9 (incl. PE)
- Further details see ES16

### More technical details

- Rotational speed: max. 100 U/min
- Insulation:
  - glass filament, fabric tube HGW2375,4 DIN 7735
- Ambient temperature:
  - -30°C to max. +60°C
  - at > 60°C the max. current load has to be reduced accordingly
  - for higher temperature please inquire
- Position of installation:
  - standing, with reinforced bearing
  - other positions on request

- Bearing: anti-friction bearing
- Corrosion protection:
  - steel parts galvanized or powdercoated
- Protective cover:
  - removable to the top
  - also divided on request, i.e. removable to the side or with sight and assembly window

### Volume of delivery

- Standard without Pg glands
- with Pg glands on request

### Accessories

- Heating
- Rotary transmission for gaseous and liquid media

### Order example:

#### GS16-04

Enclosed slip ring body  
Type 16  
With steel housing  
3-pole + PE