

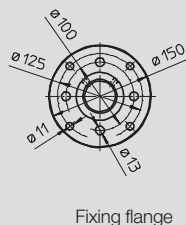
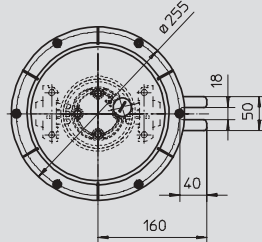
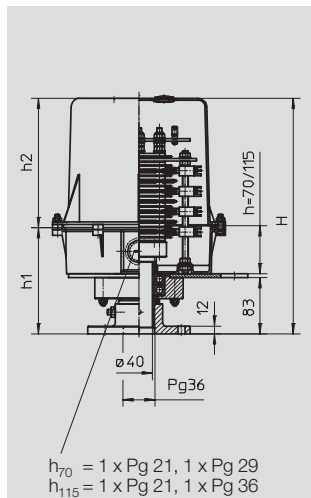
Slip ring bodies

Enclosed slip ring body GS18 25 A / 630 V (690 V)¹⁾



Electrical data

- Voltage: max. 630 V_~ (690 V)¹⁾
 - according to DIN VDE 0110
 - overvoltage category III
 - insulating material group II
 - degree of contamination 3
- Current: mA-25 A, at max. 30°C and 100 % duty cycle
- Slip rings:
 - ø 102 mm, brass
 - distance between rings 15 mm
- Current collector:
 - support with 2 contact springs, each with three bronze coal rivets
 - connecting flat plug 6.3 (DIN 46244) for flat socket 6.3 (DIN 46247)
- Protection class: IP 65



h ₁ [mm]	h ₂ [mm]	H [mm]	Max. number of poles	
			incl. PE	with heating
157	125	282	10	-
	190	347	18	8
	280	437	30	20
202	125	327	14	6
	190	392	24	14
	280	482	36	26

Control and data transmission

- Ring with multi-layer coating (ML) and current collector bronze 25 mA at 24 V and >
- Ring with multi-layer coating (ML) and current collector
 - silver (Ag) 0 - 20 mA at min. 0 - 10 V
 - digital max. 500 kBaud
 - measured data transmissions and video signals require consultation

Volume of delivery

- Standard without Pg glands
- Pg glands on request

Wiring and max. number of poles

- Standard construction:
 - up to 36 rings on a clamping board mit 2.5 mm²
 - 37 to 48 rings without clamping board with strand wiring 1.5 mm², 2 m from flange
- Special construction:
 - up to 48 rings on a clamping board mit 1.5 mm²
 - up to max. 100 rings without clamping board with strand wiring 1mm², 2 m from flange
 - 10 rings or more with supporting plate
 - 48 rings or more with intermediate support

More technical details

- Rotational speed for
 - standard construction (MS-rings and bronze coals): 100 U/min
 - data (ML-rings): 30 U/min
- Bearing: anti-friction bearing
- Insulation:
 - insulating parts PA 6, glass fibre reinforced.
- Ambient temperature:
 - -35°C to max. +50°C
 - at > 50°C the max. current load has to be reduced accordingly
 - for higher temperature please inquire
- Position of installation:
 - standing
 - other positions on request
- Flange diameter d^{1H8}:
 - 45 mm (standard)
 - 20, 30 and 35 mm on request
- Corrosion protection:
 - steel parts galvanized and powdercoated
 - aluminium
 - standard housing of PA6.6 up to 36 poles
 - 37 poles or more steel housing

¹⁾ The voltages apply for slip ring bodies, installed in systems (parts of systems) that are not directly fed by the low-voltage net (VDE 0110-1/1997-04: 2.2.1.1.2, table 4). On systems (part of systems) with direct feeding from the low-voltage net, the values in brackets are permissible for alternating voltage (VDE 0110-1/1997-04: 2.2.1.1.1, table 3b).

Order example:

GS18KS-24/08ML/LI

Enclosed slip ring body
Type 18, 23-pole + PE
Combined with type 18,
8-pole
With multi-layer coating
Strand wiring