

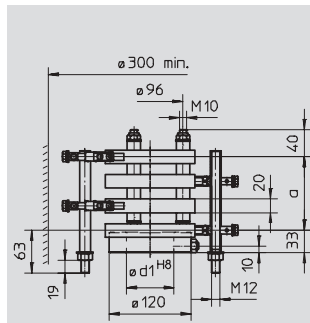
Slip ring bodies

Slip ring body ES19 150 A / 1000 V

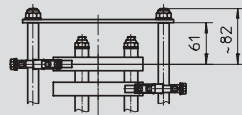
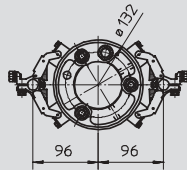


Electrical data

- Voltage: max. 1000 V~ =
 - according to DIN VDE 0110
 - overvoltage category IV
 - insulating material group II
 - degree of contamination 3
- Current: 150 A, at max. 30°C and 100% duty cycle
- Slip rings:
 - \varnothing 132 x 20 mm, brass
 - distance between rings 36 mm
 - connection M8
 - max. 150 A
- Current collector:
 - industrial double support with two flexibly hinged, replaceable coals 32 x 10 mm
 - connection M8
 - max. 150 A
- Protection class: IP 00



$$a = (\text{number of poles} - 1) \times 36$$



5 poles and more with connecting bracket

Wiring and max. number of poles

- Max. 18 (incl. PE) connection made by the customer with 35 mm²
- Strand wiring 35 mm², 2 m from flange possible at a surcharge
- According to DIN VDE 0100-540 a outer conductor of 35 mm² cross section only requires a minimum cross section of the earth conductor of 16 mm²
- 5 rings or more with connecting bracket

More technical details

- Rotational speed: max. 100 U/min
- Insulation:
 - glass filament, fabric tube HGW2375,4 DIN 7735
- Ambient temperature:
 - -30°C to max. +60°C
 - at > 60°C the max. current load has to be reduced accordingly
 - for higher temperature please inquire
- Position of installation:
 - standing
 - other positions on request
- Flange diameter d1^{H8}:
 - 70 mm standard
 - 35 and 45 mm on request

Volume of delivery

- Brush bolts
- Insulating tubes
- Current collectors

Order example:

ES19/F70-04

Slip ring body
Type 19
3-pole + PE
Flange diameter
d1^{H8} = 70 mm

Enclosed slip ring body GS19 150 A / 1000 V

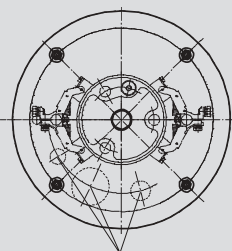
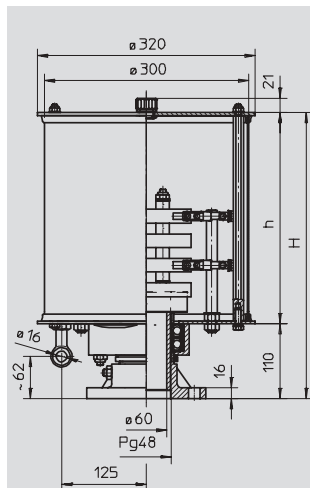


Electrical data

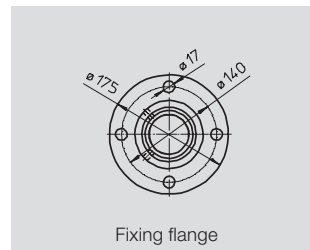
- According to type ES19
- Exception:
 - protection class: IP 54
 - higher protection class on request

Wiring and max. number of poles

- Max. 16
- Otherwise as type ES19



Pg-holes at the bottom plate:
1 x \varnothing 55 mm (Pg 42)
1 x \varnothing 29 mm (Pg 21)
1 x \varnothing 23 mm (Pg 16)



Fixing flange

More technical details

- Rotational speed: max. 100 U/min
- Insulation:
 - glass filament, fabric tube HGW2375,4 DIN 7735
- Ambient temperature:
 - -30°C to max. +60°C
 - at > 60°C the max. current load has to be reduced accordingly
 - for higher temperature please inquire
- Position of installation:
 - standing
 - other positions on request
- Bearing: anti-friction bearing
- Corrosion protection:
 - steel parts galvanized or powdercoated

- Protective cover:
 - removable to the top
 - also divided on request, i.e. removable to the side or with sight and assembly window

Volume of delivery

- Standard without Pg glands
- Pg glands on request

Accessories

- Heating
- Rotary transmission for gaseous and liquid media

Order example:

GS19-04

Enclosed slip ring body
Type 19
With steel housing
3-pole + PE