

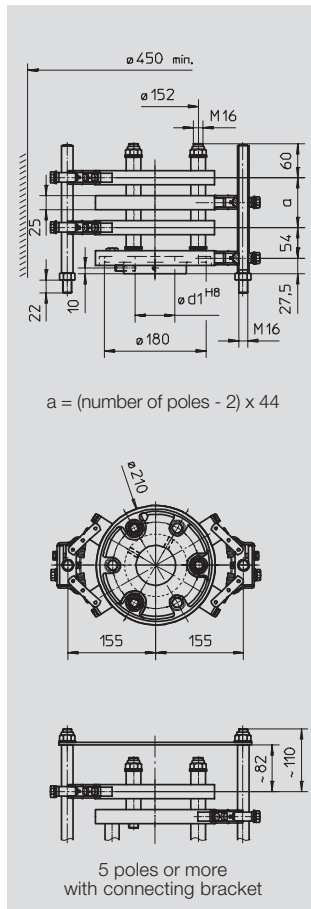
# Slip ring bodies

## Slip ring body ES21 250 A / 1000 V



### Electrical data

- Voltage: max. 1000 V<sub>~</sub>
  - according to DIN VDE 0110
  - overvoltage category IV
  - insulating material group II
  - degree of contamination 3
- Current: 250 A, at max. 30°C and 100% duty cycle
- Slip rings:
  - ø 210 x 25 mm, brass
  - distance between rings 44 mm
  - connection M10/12
  - max. 400 A
- **Current collector:**
  - industrial double support with two flexibly hinged, replaceable coils 45 x 16 mm
  - connection M10
  - max. 300 A
- Protection class: IP 00



### Wiring and max. number of poles

- Max. 8 (incl. PE) connection made by the customer with 95 mm<sup>2</sup>
- Strand wiring 95 mm<sup>2</sup>, 2 m from flange possible at a surcharge
- According to DIN VDE 0100-540 the minimum cross section for the earth conductor is ½ the cross section of the outer conductor
- 5 rings or more with connecting bracket

### More technical details

- Rotational speed: max. 100 U/min
- Insulation:
  - glass filament, fabric tube HGW2375,4 DIN 7735
- Ambient temperature:
  - -30°C to max. +60°C
  - at > 60°C the max. current load has to be reduced accordingly
  - for higher temperature please inquire
- Position of installation:
  - standing
  - other positions on request
- Flange diameter d1<sup>H8</sup>: 70 mm standard

### Volume of delivery

- Brush bolts
- Insulating tubes
- Current collectors

### Order example:

**ES21/F70-04**

Slip ring body  
Type 21  
3-pole + PE  
Flange diameter  
d1<sup>H8</sup> = 70 mm

## Enclosed slip ring body GS21 250 A / 1000 V

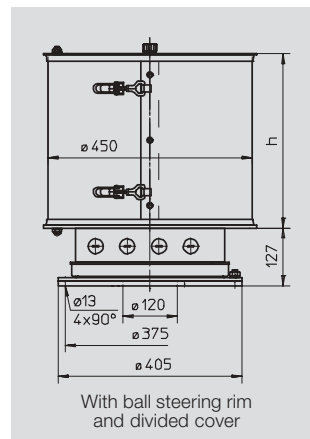
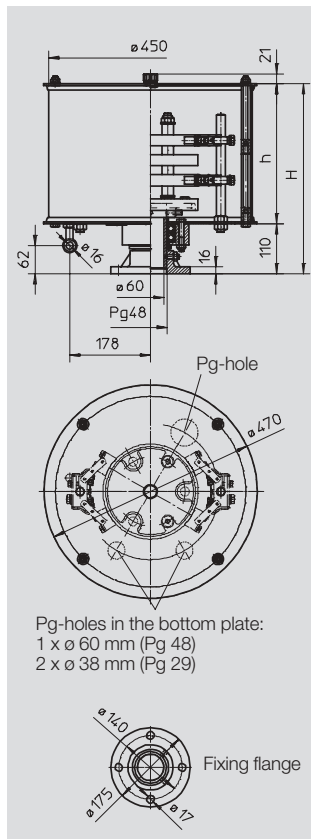


### Electrical data

- According to type ES21
- Exception:
  - protection class: IP 54
  - higher protection class on request

### Wiring and max. number of poles

- Max. 7 (incl. PE)
- Otherwise as type ES21



### More technical details

- Rotational speed: max. 100 U/min
- Insulation:
  - glass filament, fabric tube HGW2375,4 DIN 7735
- Ambient temperature:
  - -30°C to max. +60°C
  - at > 60°C the max. current load has to be reduced accordingly
  - for higher temperature please inquire
- Position of installation:
  - standing
  - other positions on request

- Bearing:
  - anti-friction bearing (can be lubricated later on)
  - ball steering rim (can be lubricated later on) on inquiry
- Corrosion protection:
  - steel parts galvanized or powdercoated
- Protective cover:
  - removable to the top
  - also divided on request, i.e. removable to the side or with sight and assembly window

### Volume of delivery

- Standard without Pg glands
- Pg glands on request

### Accessories

- Heating
- Rotary transmission for gaseous and liquid media

### Order example:

**GS21-04**

Enclosed slip ring body  
Type 21  
With steel housing  
3-pole + PE