

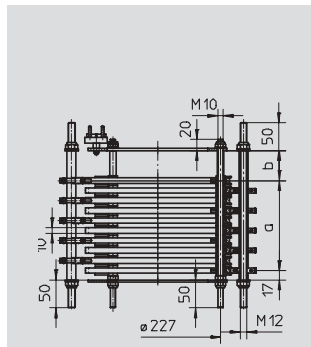
Slip ring bodies

Slip ring body ES260 47 A / 1000 V

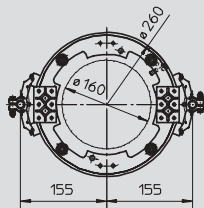


Electrical data

- Voltage: max. 1000 V~ =
 - according to DIN VDE 0110
 - overvoltage category IV
 - insulating material group II
 - degree of contamination 3
- Current: 47 A, at max. 30°C and 100% duty cycle
- Slip rings:
 - ø 260 x 10 mm, brass
 - distance between rings 18 mm
 - connection M6
 - max. 47 A
- Current collector:
 - industrial double support with two flexibly hinged, replaceable coals 22 x 6.4 mm
 - connection M5
 - max. 50 A
- Protection class: IP 00



$$a = (\text{number of poles} - 1) \times 18$$



Control and data transmission

- Ring with multi-layer coating (ML) and current collector bronze 25 mA at 24 V and >
- Ring with multi-layer coating (ML) and current collector silver (Ag) 5 mA at min. 6 V
- Measured data transmissions and video signals require consultation

Wiring and max. number of poles

- Max. 24 (incl. PE) completely wired with 6 mm² on a clamping board
- Connection at the clamping board M5
- > 24 to 36 rings with strand wiring

More technical details

- Rotational speed: max. 60 U/min
- Insulation:
 - slip ring holder PA6
 - brush bolt glass filament fabric tube HGW2375,4 DIN 7735
- Corrosion protection:
 - steel parts galvanized
- Tube passage: max. ø 160 mm
- Ambient temperature:
 - -30°C to max. +60°C
 - at > 60°C the max. current load has to be reduced accordingly

- for higher temperature please inquire
- Position of installation:
 - standing
 - other positions on request
- Possibilities of installation:
 - with 4 screw bolts M10, bolt circle ø 227 mm
 - on site the brush bolts M12 have to be screwed on top and at the bottom

Volume of delivery

- Brush bolts
- Insulating tubes
- Current collectors

Order example:

ES260-04

Slip ring body
Type 260
3-pole + PE

Enclosed slip ring body GS260 47 A / 1000 V

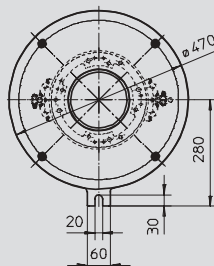
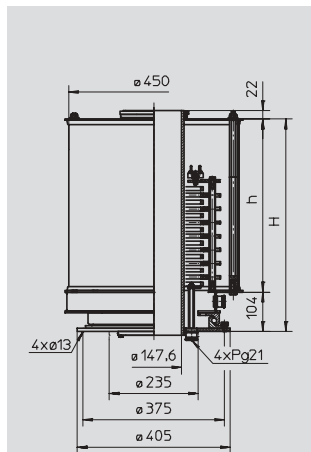


Electrical data

- According to type ES260
- Exception:
 - protection class: IP 54
 - higher protection class on request

Control and data transmission

- According to type ES260



Wiring and max. number of poles

- According to type ES260

More technical details

- Rotational speed: max. 60 U/min
- Insulation:
 - slip ring holder PA6
 - brush bolt glass filament fabric tube HGW2375,4 DIN 7735
- Corrosion protection:
 - steel parts galvanized
- Tube passage: max. ø 160 mm
- Ambient temperature:
 - -30°C to max. +60°C
 - at > 60°C the max. current load has to be reduced accordingly

- for higher temperature please inquire
- Position of installation:
 - standing
 - other positions on request
- Bearing: anti-friction bearing or ball steering rim, to be lubricated later on
- Corrosion protection:
 - steel parts galvanized, powdercoated or stainless steel
- Protective cover:
 - removable to the top
 - standard divided or with sight and assembly window

Volume of delivery

- Standard without Pg glands
- Pg glands on request

| Number of poles ¹⁾ | | h [mm] |
|-------------------------------|--------------|-----------|
| Without heating | with heating | |
| up to 12 | up to 9 | 300 |
| 13 - 18 | 10 - 15 | 450 |
| 19 - 30 | 16 - 21 | 600 |

1) number of poles incl. PE

Order example:

GS260-08

Enclosed slip ring body
Type 260
With steel housing
7-pole + PE