

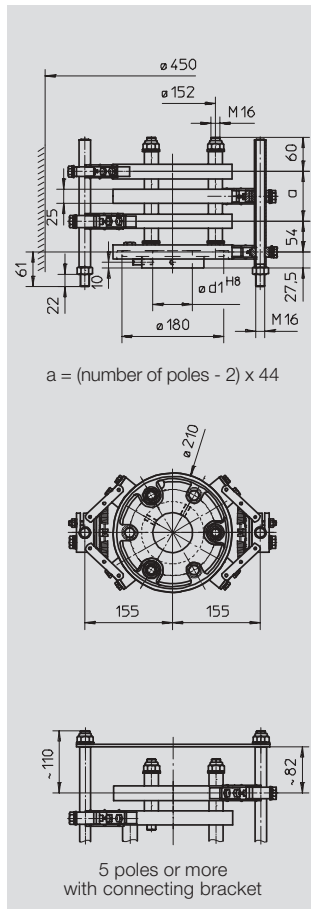
# Slip ring bodies

## Slip ring body ES29 400 A / 1000 V



### Electrical data

- Voltage: max. 1000 V~
  - according to DIN VDE 0110
  - overvoltage category IV
  - insulating material group II
  - degree of contamination 3
- Current: 400 A, at max. 30°C and 100% duty cycle
- Slip rings:
  - $\varnothing$  210 x 25 mm, brass
  - distance between rings 44 mm
  - connection M12
  - max. 400 A
- Current collectors phase:
  - industrial double support with two flexibly hinged, replaceable coals 50 x 20 mm
  - connection M12
  - max. 400 A



- Current collectors-PE:
  - as phase, however coal 45 x 16 max. 300 A
- Protection class: IP 00

### Wiring and

#### max. number of poles

- Max. 4 (incl. PE) connection made by the customer with  $2 \times 95 \text{ mm}^2$
- Strand wiring  $2 \times 95 \text{ mm}^2$ , 2 m from flange possible at a surcharge
- According to DIN VDE 0100-540 the minimum cross section for the earth conductor is  $\frac{1}{2}$  the cross section of the outer conductor
- 5 rings or more with connecting bracket

### More technical details

- Rotational speed: max. 100 U/min
- Insulation:
  - glass filament, fabric tube HGW2375,4 DIN 7735
- Ambient temperature:
  - -30°C to max. +60°C
  - at > 60°C the max. current load has to be reduced accordingly
  - for higher temperature please inquire
- Position of installation:
  - standing
  - other positions on request

- Flange diameter  $d1^{H8}$ : 70 mm standard

### Volume of delivery

- Brush bolts
- Insulating tubes
- Current collectors

### Order example:

#### ES29/F70-04

Slip ring body  
Type 29  
3-pole + PE  
Flange diameter  
 $d1^{H8} = 70 \text{ mm}$

## Enclosed slip ring body GS29 400 A / 1000 V

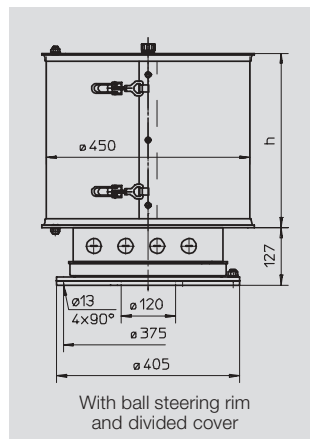
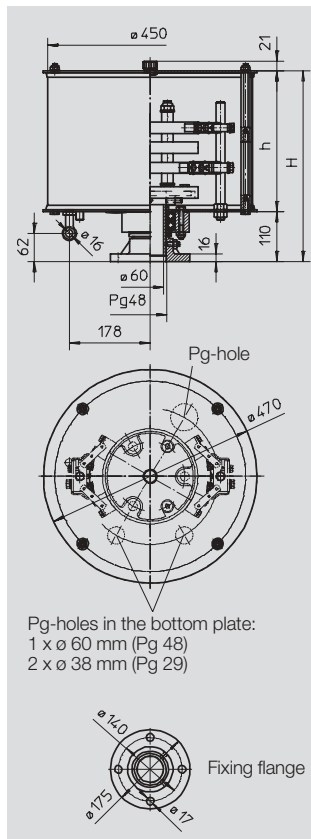


### Electrical data

- According to type ES29
- Exception:
  - protection class: IP 54
  - higher protection class on request

### Wiring and max. number of poles

- According to type ES29
- with ball steering rim on request



### More technical details

- Rotational speed: max. 100 U/min
- Insulation:
  - glass filament, fabric tube HGW2375,4 DIN 7735
- Ambient temperature:
  - -30°C to max. +60°C
  - at > 60°C the max. current load has to be reduced accordingly
  - for higher temperature please inquire
- Position of installation:
  - standing
  - other positions on inquiry

- Bearing:
  - anti-friction bearing (can be lubricated later on)
  - ball steering rim (can be lubricated later on) on request
- Corrosion protection:
  - steel parts galvanized or powdercoated
- Protective cover:
  - removable to the top
  - also divided on request, i.e. removable to the side or with sight and assembly window

### Volume of delivery

- Standard without Pg glands
- Pg glands on request

### Accessories

- Heating
- Rotary transmission for gaseous and liquid media

### Order example:

#### GS29-04

Enclosed slip ring body  
Type 29  
With steel housing  
3-pole + PE