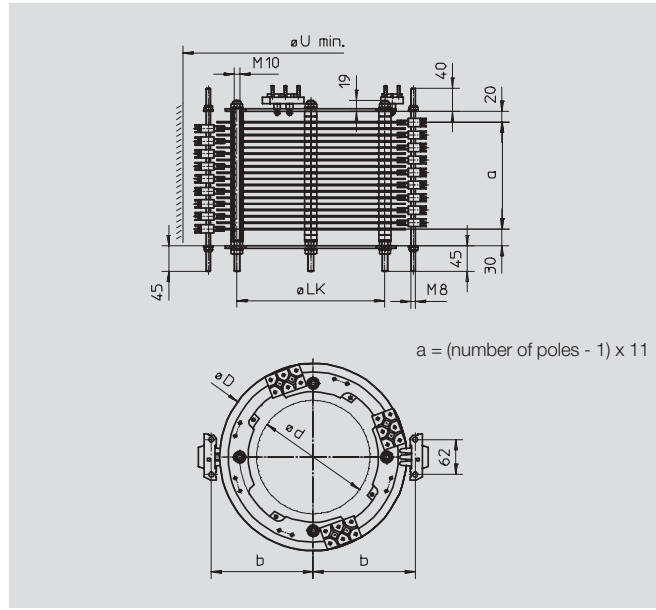
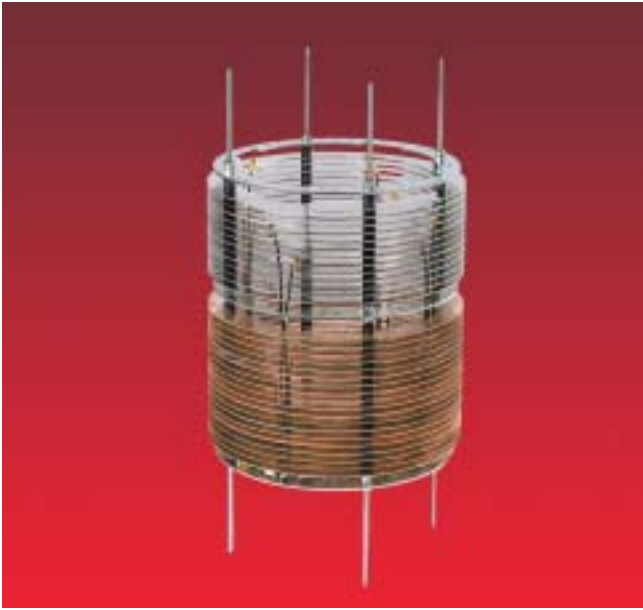


Slip ring bodies

Slip ring body ES170, ES200, ES285 47 A / 630 V (690 V)¹⁾



Type	b [mm]	ø d [mm]	ø D [mm]	ø LK [mm]	ø U [mm]	Combination with
ES170	101	75	170	120 – 3 x 120°	290	
ES200	116	100	200	150 – 3 x 120°	320	ES185
ES285	158,5	160	285	227 – 4 x 90°	400	ES260

Electrical data

- Voltage: max. 630V~=(690 V)¹⁾
 - according to DIN VDE 0110
 - overvoltage category III
 - insulating material group II
 - degree of contamination 3
- Current: 47 A, at max. 30°C and 100% duty cycle
- Slip rings:
 - disk rings according to the type ø 170/200/285 x 2 mm, brass
 - distance between rings 11 mm
 - connection M6
 - max. 47 A
- Current collector:
 - support with two bridged contact springs, each with 3 bronze coal rivets
 - connecting flat plug 6.3 (DIN 46244) for flat socket (DIN 46247)
- Protection class: IP 00

Control and data transmission

- Ring with multi-layer coating (ML) and current collector bronze 25 mA at 24 V and >
- Ring with multi-layer coating (ML) and current collector
 - silver (Ag) 0 - 20 mA at min. 0 - 10 V
 - digital max. 500 kBaud
- Measured data transmissions and video signals require consultation

Wiring and max. number of poles

- Max. 18 (incl. PE) completely wired with 6 mm² on a clamping boards
- Connection at the clamping board M5

More technical details

- Rotational speed:
 - max. 60 U/min
- Insulation:
 - slip ring holder PA6
 - brush bolt glass filament fabric tube HGW2375,4 DIN 7735
- Corrosion protection:
 - steel parts galvanized
- Tube passage:
 - see table, diameter d
- Ambient temperature:
 - -30°C to max. +60°C
 - at > 60°C the max. current load has to be reduced accordingly
 - for higher temperature please inquire
- Position of installation:
 - standing
 - other positions on inquiry
- Possibilities of installation:
 - with 3 screw bolts M10
 - on site the brush bolts M10 have to be screwed on top and at the bottom

Volume of delivery

- Brush bolts
- Insulating tubes
- Current collectors

1) The voltages apply for slip ring bodies, installed in systems (parts of systems) that are not directly fed by the low-voltage net (VDE 0110-1/1997-04: 2.2.1.1.2, table 4). On systems (part of systems) with direct feeding from the low-voltage net, the values in brackets are permissible for alternating voltage (VDE 0110-1/1997-04: 2.2.1.1.1, table 3b).

Order example:

ES170-10

Slip ring body
Type 170
9-pole + PE