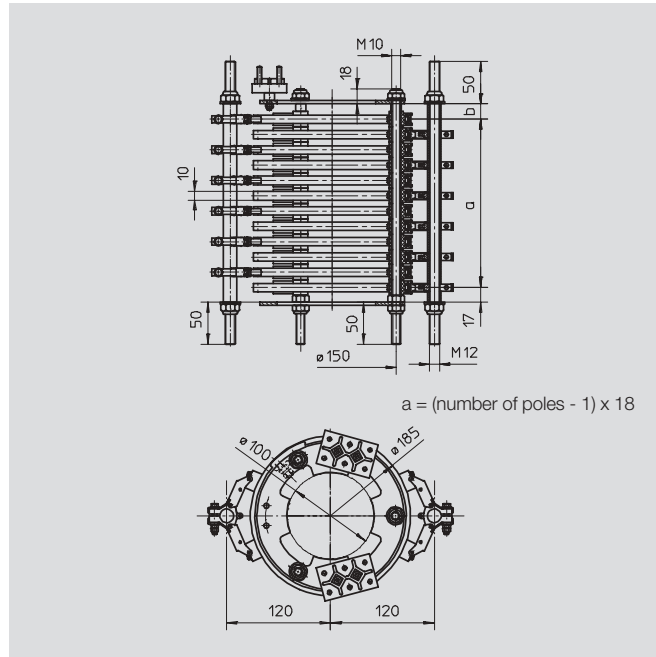


Slip ring bodies

Slip ring body ES185 47 A / 1000 V



Electrical data

- Voltage: max. 1000 V_~=
 - according to DIN VDE 0110
 - overvoltage category IV
 - insulating material group II
 - degree of contamination 3
- Current: 47 A, at max. 30°C and 100% duty cycle
- Slip rings:
 - ø 185 x 10 mm, brass
 - distance between rings 18 mm
 - connection M6
 - max. 47 A
- Current collector:
 - industrial double support with two flexibly hinged, replaceable coals 22 x 6.4 mm
 - connection M5
 - max. 50 A
- Protection class: IP 00

Control and data transmission

- Ring with multi-layer coating (ML) and current collector bronze 25 mA at 24 V and >
- Ring with multi-layer coating (ML) and current collector silver (Ag) 5 mA at min. 6 V
- Measure data transmissions and video signals require consultation

Wiring and max. number of poles

- Max. 18 (incl. PE) completely wired with 6 mm² on a clamping boards
- Connection at the clamping board M5

More technical details

- Rotational speed:
 - max. 60 U/min
- Insulation:
 - slip ring holder PA6
 - brush bolt glass filament fabric tube HGW2375,4 DIN 7735
- Corrosion protection:
 - steel parts galvanized
- Tube passage:
 - max. ø 100 mm
- Ambient temperature:
 - -30°C to max. +60°C
 - at > 60°C the max. current load has to be reduced accordingly
 - for higher temperature please inquire
- Position of installation:
 - standing
 - other positions on request
- Possibilities of installation:
 - with 3 screw bolts M10, bolt circle ø 150 mm
 - in site the brush bolts M12 have to be screwed on top and at the bottom

Volume of delivery

- Brush bolts
- Insulating tubes
- Current collectors

Order example:

ES185-04

Slip ring body
Type 185
3-pole + PE