

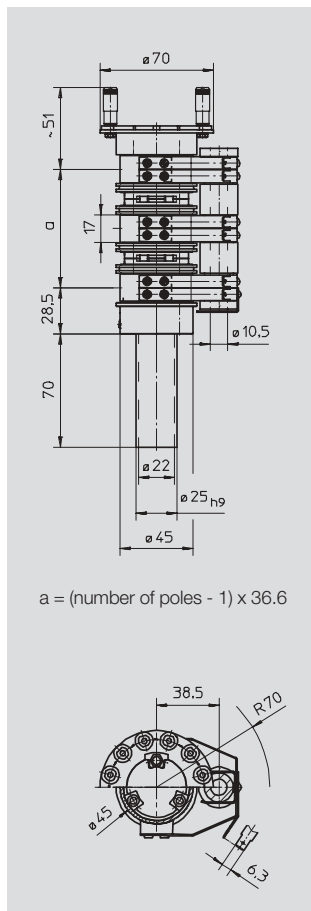
Slip ring bodies

Slip ring body ES45/2 47 A / 1000 V



Electrical data

- Voltage: max. 1000 V~ =
 - according to DIN VDE 0110
 - overvoltage category IV
 - insulating material group II
 - degree of contamination 3
- Current: 47 A, at max. 30°C and 100% duty cycle
- Slip rings:
 - $\varnothing 45 \times 17$ mm, brass
 - distance between rings 36.6 mm
- Current collector:
 - support with 2 current collectors with two pressed-on coals 20 x 8 mm
 - connecting flat plug 6.3 (DIN 46244) for flat socket 6.3 (DIN 46247)
- Protection class: IP 00



Wiring and max. number of poles

- Max. 5 (incl. PE) completely wired with 6 mm² on the ring side on a clamping board at sheathed clamps
- current collector in pairs per ring on connecting terminals

More technical details

- Rotational speed: max. 70 U/min
- Insulation:
 - insulating parts PA 6, glass fibre reinforced
- Ambient temperature:
 - -35°C to max. +50°C
 - at > 50°C the max. current load has to be reduced accordingly
 - for higher temperature please inquire
- Position of installation:
 - standing
 - other positions on request
- Axle tube $d_a = 25_{H9}$ mm

Volume of delivery

- slip ring body complete with current collectors
- Insulator
- Axle tube (secure against torsion on site by means of 2 threaded pins MS, DIN 914)
- Without brush bolt

Mounting advice

Attention!

The two current collectors per ring always have to be connected in parallel to a clamping board or similar.

Order example:

ES45/2/R22-04

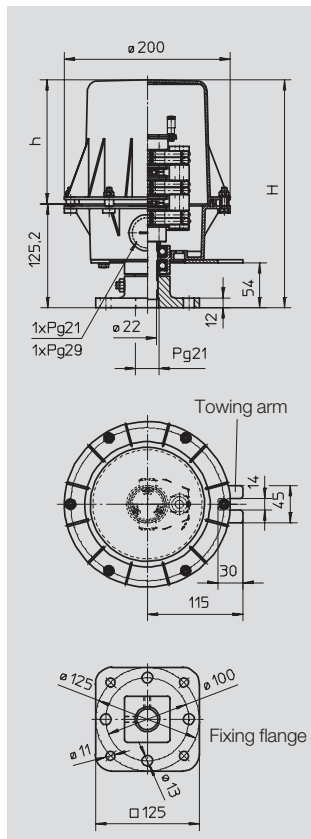
Slip ring body
Type 45/2
3-pole + PE
Tube $d_{\text{inside}} = 22$ mm

Enclosed slip ring body GS45/2 47 A / 1000 V



Electrical data

- According to type ES45/2
- Exception:
 - protection class: IP 65



| h_2 [mm] | H [mm] | Max. number of poles | |
|---------------|-----------|----------------------|--------------|
| | | standard | with heating |
| 90 | 215 | 2 | - |
| 150 | 275 | 4 | - |
| 190 | 315 | 5 | 3 |
| 280 | 405 | - | 5 |

Wiring and max. number of poles

- According to type ES45/2

More technical details

- Ambient temperature:
 - -35°C to max. +50°C
 - at > 50°C the max. current load has to be reduced accordingly
 - for higher temperature please inquire
- Corrosion protection:
 - steel parts galvanized or powdercoated RAL 1012
- Position of installation:
 - standing
 - other positions on request
- Glands:
 - in the fixing flange Pg 21
 - through-holes in the housing bottom part for Pg 21 and Pg 29

Option

- Reinforced bearing
- Vent plug
- Heating
- Tube and rotary transmission

Order example:

GS45/2KS-04

Enclosed slip ring body
Type 45/2
With plastic housing
3-pole + PE