

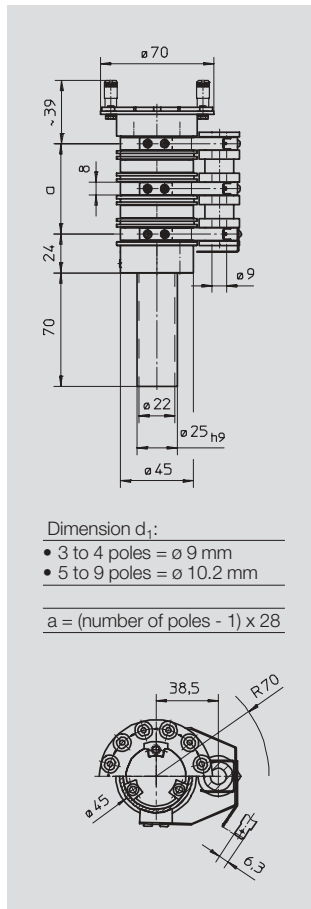
# Slip ring bodies

## Slip ring body ES45/3 25 A / 1000 V



### Electrical data

- Voltage: max. 1000 V~ =
  - according to DIN VDE 0110
  - overvoltage category IV
  - insulating material group II
  - degree of contamination 3
- Current: 25 A, at max. 30°C and 100% duty cycle
- Slip rings:
  - $\varnothing 45 \times 8$  mm, brass
  - distance between rings 28 mm
- Current collector:
  - support with 2 pressed-on coils  $20 \times 8$  mm
  - connecting flat plug 6.3 (DIN 46244) for flat socket 6.3 (DIN 46247)
- Protection class: IP 00



### Wiring and max. number of poles

- Max. 9 (incl. PE), completely wired with 2.5 mm<sup>2</sup> on a clamping board, sheathed clamps

### More technical details

- Rotational speed: max. 100 U/min
- Insulation:
  - insulating parts PA 6, glass fibre reinforced
- Ambient temperature:
  - -35°C to max. +50°C
  - at > 50°C the max. current load has to be reduced accordingly
  - for higher temperature please inquire
- Position of installation:
  - standing
  - other positions on request
- Axle tube  $d_a = 25_{h9}$  mm

### Volume of delivery

- Complete slip ring body with current collectors
- Insulator
- Axle tube (secure on site against torsion with 2 threaded pins M5, DIN 914)
- Without brush bolt

### Mounting advice

#### Attention!

Only every second slip ring is to be fitted with a current collector.

### Order example:

**ES45/3/R22-04**

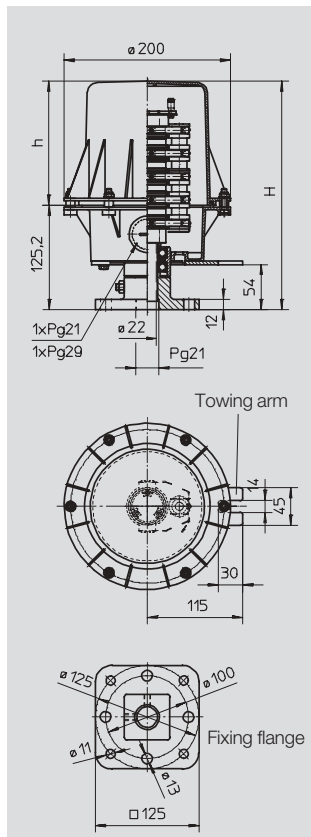
Slip ring body  
Type 45/3  
3-pole + PE  
Tube  $d_{\text{inside}} = 22$  mm

## Enclosed slip ring body GS45/3 25 A / 1000 V



### Electrical data

- According to type ES45/3
- Exception:
  - protection class: IP 65



h [mm]	H [mm]	Max. number of poles (incl. PE)	
		standard	with heating
90	215	3	-
150	275	5	2
190	315	6	4
280	405	9	7

### Wiring and max. number of poles

- According to type ES45/3

### More technical details

- Rotational speed: max. 100 U/min
- Insulation:
  - insulating parts PA 6, glass fibre reinforced
- Ambient temperature:
  - -35°C to max. +50°C
  - at > 50°C the max. current load has to be reduced accordingly
  - for higher temperature please inquire
- Position of installation:
  - standing
  - other positions on request
- Corrosion protection:
  - steel parts galvanized and powdercoated RAL 1012

### Glands:

- on the fixing flange Pg 21
- through-holes in the housing bottom part for Pg 21 and Pg 29

### Option

- Reinforced bearing
- Vent plug
- Heating
- Tube and rotary transmission

### Order example:

**GS45/3KS-04**

Enclosed slip ring body  
Type 45/3  
With plastic housing  
3-pole + PE