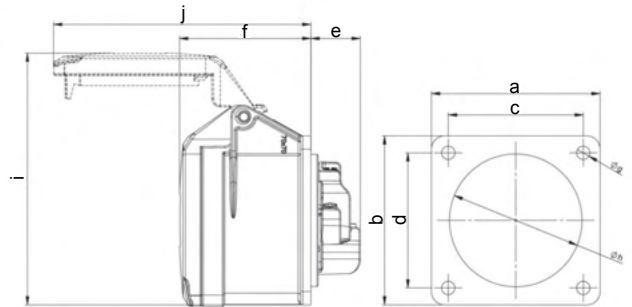


article#	A313-6x
article description	CEE-flanged socket straight (70x70mm) 16A 3p 6h IP44/IP54 black
description long	CEE-flanged socket straight (70x70mm) 16A 3p 6h IP44/IP54 black housing material: PA6 rated current: 16A number of poles: 3 (2P+PE) clock-position: 6h rated voltage/frequency: 200-250V~ / 50+60Hz contacts: brass connection technology: screw terminals dimensions (flange/fixing center): 70x70 mm / 56x56 mm IP protection class: IP44/IP54
GTIN (EAN)	9003399173851
country of origin	AT
customs number	85366990
net weight	0.115 kg
packaging quantity	10
minimum order quantity	10



ETIM 9.0	EC001317
IEC-amperage	16 A
Voltage according to EN 60309-2	230 V (50+60 Hz) blue
Number of poles	3
Clock hour position	6 h
Identification colour	Blue
Degree of protection (IP)	IP54
Connection system	Screwed terminal
Angle of plug	Straight
Material	Plastic
Contact material	CuZn
Surface treatment contacts	Untreated
Flange size vertical	70 mm
Drill hole distance vertical	56 mm
Flange size horizontal	70 mm
Drill hole distance horizontal	56 mm



a	70 mm
b	70 mm
c	56 mm
d	56 mm
e	21 mm
f	55 mm
g	5,5 mm
h	43 mm
i	87 mm
j	101 mm
wire flexible	1-2,5 mm ²
wire solid	1-4 mm ²
contact screws	100 Ncm
dismantling length	50 mm
stripping length	10-12 mm
ambient temperature	-25 – 40 °C
temperature resistance	-25 – 80 °C

