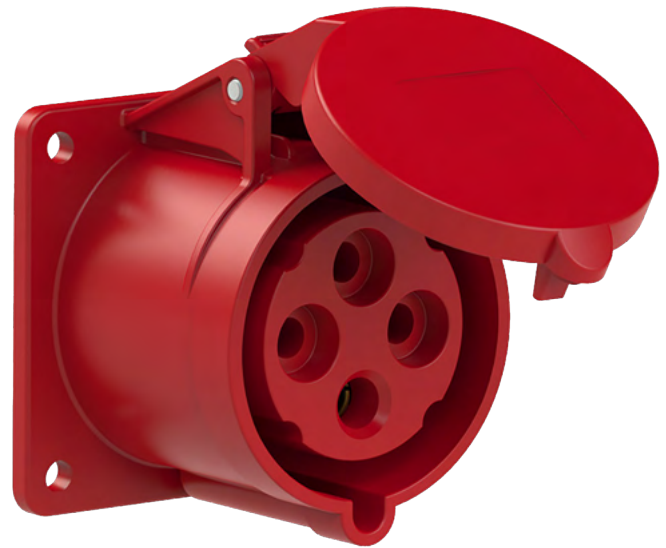
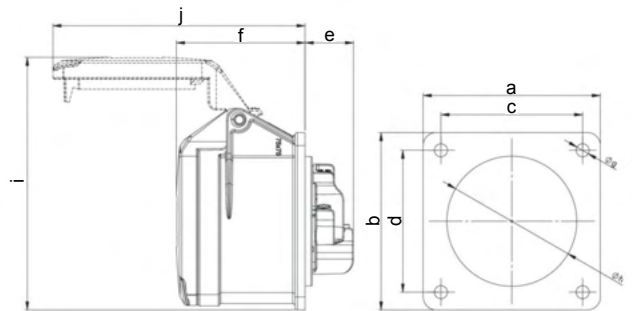


|                        |   |
|------------------------|---|
| article#               | <b>A324-6f7</b>   |
| article description    | <b>CEE-flanged socket straight (75x75mm) 32A 4p 6h IP44</b>   |
| description long       | CEE-flanged socket straight (75x75mm) 32A 4p 6h IP44<br>housing material: PA6<br>rated current: 32A<br>number of poles: 4 (3P+PE)<br>clock-position: 6h<br>rated voltage/frequency: 380-415V~ / 50+60Hz<br>contacts: brass<br>connection technology: screw terminals<br>dimensions (flange/fixing center): 75x75 mm / 60x60 mm<br>IP protection class: IP44 |
| GTIN (EAN)             | 9003399046681   |
| country of origin      | AT  |
| customs number         | 85366990  |
| net weight             | 0.182 kg  |
| packaging quantity     | 10  |
| minimum order quantity | 10  |



|                                 |                      |
|---------------------------------|----------------------|
| ETIM 9.0                        | EC001317             |
| IEC-amperage                    | 32 A                 |
| Voltage according to EN 60309-2 | 400 V (50+60 Hz) red |
| Number of poles                 | 4                    |
| Clock hour position             | 6 h                  |
| Identification colour           | Red                  |
| Degree of protection (IP)       | IP44                 |
| Connection system               | Screwed terminal     |
| Angle of plug                   | Straight             |
| Material                        | Plastic              |
| Contact material                | CuZn                 |
| Surface treatment contacts      | Untreated            |
| Flange size vertical            | 75 mm                |
| Drill hole distance vertical    | 60 mm                |
| Flange size horizontal          | 75 mm                |
| Drill hole distance horizontal  | 60 mm                |



|                        |                        |
|------------------------|------------------------|
| a                      | 75 mm                  |
| b                      | 75 mm                  |
| c                      | 60 mm                  |
| d                      | 60 mm                  |
| e                      | 23 mm                  |
| f                      | 67 mm                  |
| g                      | 5,5 mm                 |
| h                      | 55 mm                  |
| i                      | 112 mm                 |
| j                      | 122 mm                 |
| wire flexible          | 2,5-6 mm <sup>2</sup>  |
| wire solid             | 2,5-10 mm <sup>2</sup> |
| contact screws         | 110 Ncm                |
| dismantling length     | 50 mm                  |
| stripping length       | 12-14 mm               |
| ambient temperature    | -25 – 40 °C            |
| temperature resistance | -25 – 80 °C            |

