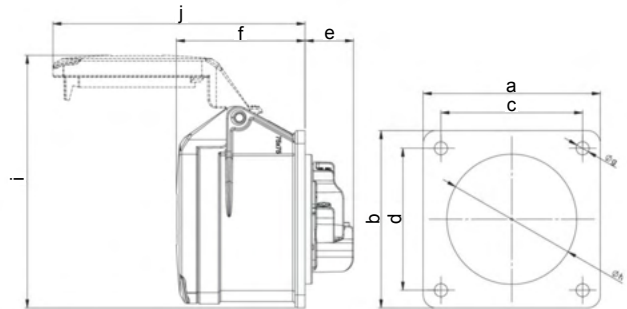


AMPCO Data Sheet

article#	A324-7f7
article description	CEE-flanged socket straight (75x75mm) 32A 4p 7h IP44
description long	CEE-flanged socket straight (75x75mm) 32A 4p 7h IP44 housing material: PA6 rated current: 32A number of poles: 4 (3P+PE) clock-position: 7h rated voltage/frequency: 480-500V~ / 50+60Hz contacts: brass connection technology: screw terminals dimensions (flange/fixing center): 75x75 mm / 60x60 mm IP protection class: IP44
GTIN (EAN)	9003399046759
country of origin	AT
customs number	85366990
net weight	0.182 kg
packaging quantity	10
minimum order quantity	10



ETIM 9.0	EC001317
IEC-amperage	32 A
Voltage according to EN 60309-2	500 V (50+60 Hz) black
Number of poles	4
Clock hour position	7 h
Identification colour	Black
Degree of protection (IP)	IP44
Connection system	Screwed terminal
Angle of plug	Straight
Material	Plastic
Contact material	CuZn
Surface treatment contacts	Untreated
Flange size vertical	75 mm
Drill hole distance vertical	60 mm
Flange size horizontal	75 mm
Drill hole distance horizontal	60 mm



a	75 mm
b	75 mm
c	60 mm
d	60 mm
e	23 mm
f	67 mm
g	5,5 mm
h	55 mm
i	112 mm
j	122 mm
wire flexible	2,5-6 mm ²
wire solid	2,5-10 mm ²
contact screws	110 Ncm
dismantling length	50 mm
stripping length	12-14 mm
ambient temperature	-25 – 40 °C
temperature resistance	-25 – 80 °C

